

FlexStream FS-CAB-08 Rugged IP-65 Outdoor Enclosure

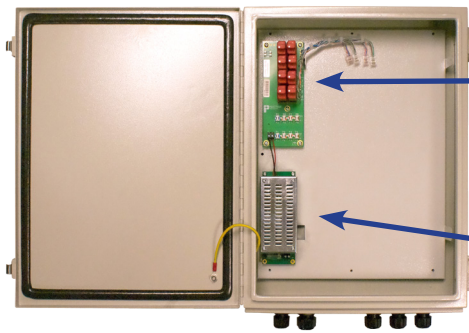


FS-CAB-08

Positron's FlexStream FS-CAB-08 rugged IP-65 outdoor enclosure is designed to host one of the AK624RU or next generation FS-GIGA-08 universal CPEs from Positron Access Solutions.

Lightweight Environmentally Hardened Enclosure

The FS-CAB-08 in use with an AK624RU or FS-GIGA-08 is a self-contained standalone unit that eliminates the need for any 3rd party cabinet enclosures, heat exchangers and site construction, which account for a large portion of the total cost of deployment. The FS-CAB-08 can be deployed indoor where a secure enclosure is needed or as part of the outside plants (OSP). The FS-CAB-08 is a lightweight waterproof (IP-65 / NEMA-4x) environmentally hardened enclosure with flexible mounting options: wall-mount, pole-mount or, on the side of a cross-connect or splice pedestal.



Included:

8 pair gas-tube protection module with 110 punch-down blocks for eight (8) copper pairs. The gas tube modules are sold separately.

Optional:

A power module can be installed. Two configurations are supported: 110-220 VAC to -48 VDC (shown here) or ± 190 VDC to -53 VDC (RFT-V) requiring two (2) additional copper pairs for line powering.

Installation Plates

Installation plates are offered for each universal CPE (AK624RU or FS-GIGA) to facilitate the mounting inside the FS-CAB-08. Please refer to ordering information section at the end of the document.

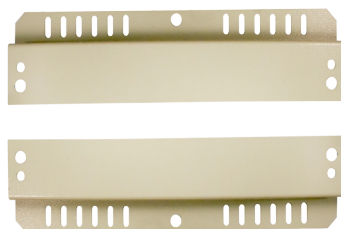
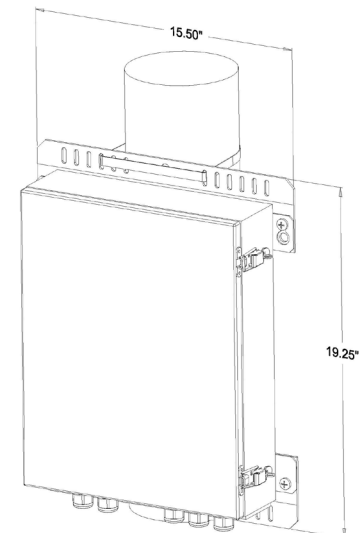
Universal CPEs

The **AK624RU** and **FS-GIGA-08 Universal CPE** are standard-based 8-pair VDSL2 and ADSL2+ with multiple Gigabit Ethernet ports (Optical / RJ-45). Both access devices are Metro Ethernet Forum (MEF) Carrier Ethernet (CE) 2.0 compliant. They are fully standards compliant and interoperate with leading 3rd party DSLAM from Alcatel-Lucent, Calix, Adtran, Huawei and others.

Mounting Options

The FS-CAB-08 enclosure is designed with four (4) built-in mounting holes for easy installation on a wall or on the side of an existing cross-connect cabinet or splice pedestal.

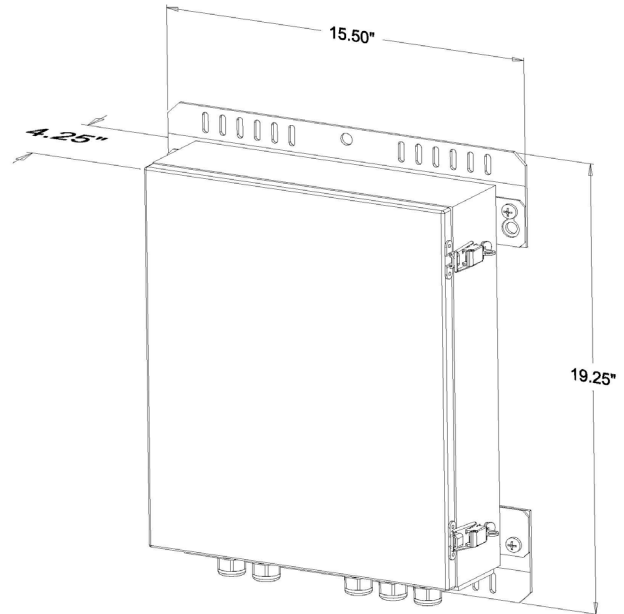
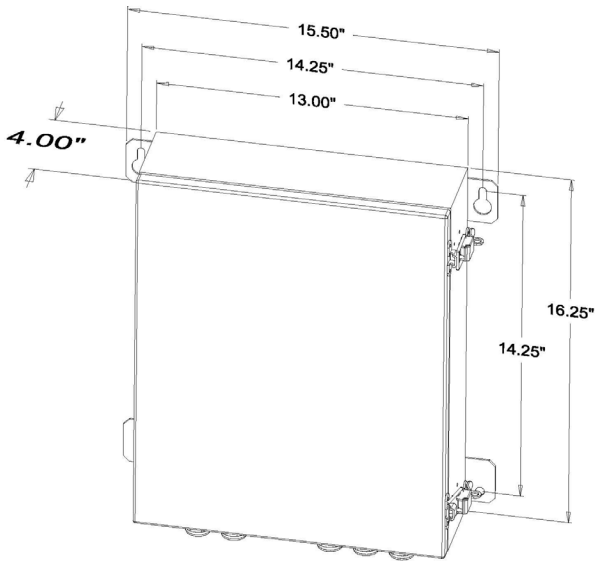
An optional pole-mount bracket kit is available. The FS-CAB-08 can be screwed on a wood pole or attached on the pole using metal straps (not included). It supports poles with a diameter from 6 to 12 inches (15.24 to 30.48 cm).



Pole-mount Bracket Kit



Mechanical Drawings and Dimensions



TECHNICAL SPECIFICATIONS

Outside Plant Pairs

- Number of Pairs: Up to 8 pairs, plus 2 pairs for line power (AK624 / FS-GIGA)

Electrical Specifications

- Local Power Input: 110-220 VAC using an optional AC-DC power supply
- Line Powered by CO (AK624 and FS-GIGA, using ± 190 VDC to -53 VDC (RFT-V) requiring 2 additional copper pairs for line powering
- Maximum Heat Dissipation: 30 Watts

Environmental Specifications

- Operating Temperature: -40 to +65°C
- Storage Temperature: -40 to +70°C
- Relative Humidity: Up to 95%, non-condensing

Mechanical Specifications

- Enclosure dimensions: 16.25" (41.3 cm) High x 13" (33 cm) Wide x 4" (10.2 cm) Deep
- Weight:
 - Approximately 14 lbs (6.4 kg) for the cabinet alone
 - Approximately 22 lbs (10 kg) fully loaded, including electronics and pole-mount brackets

Regulatory Approval

- UL60950
- FCC Part 15 Class A
- CE Mark

Ordering Information

Part Number	Description
Cabinets	
FS-CAB-08 Enclosure with Options	
FS-CAB-08-AK6	IP-65 Enclosure for AK624RU Includes a primary pair protection module (5-pin gas tube protectors not included)
FS-CAB-08-AK6-AC	IP-65 Enclosure for AK624RU Includes a primary pair protection module (5-pin gas tube protectors not included) Includes a FS-ACDC-EXT 110-220 VAC to -48 VDC power supply
FS-CAB-08-AK6-LPWR	IP-65 Enclosure for AK624RU Includes a primary pair protection module (5-pin gas tube protectors not included) Includes a FS-LPWR 190 VDC to -53 VDC power supply (required 2 dedicated copper pairs)
FS-CAB-08	IP-65 Enclosure for FS-GIGA-08 Includes a primary pair protection module (5-pin gas tube protectors not included)
FS-CAB-08-AC	IP-65 Enclosure for FS-GIGA-08 Includes a primary pair protection module (5-pin gas tube protectors not included) Includes a FS-ACDC-EXT 110-220 VAC to -48 VDC power supply
FS-CAB-08-LPWR	IP-65 Enclosure for FS-GIGA-08 Includes a primary pair protection module (5-pin gas tube protectors not included) Includes a FS-LPWR ±190 VDC to -53 VDC power supply (required 2 dedicated copper pairs)
NTE Kits	
Universal CPE (FS-GIGA-08 or AK624RU) in FS-CAB-08 Enclosure	
FS-AK624-OUT-DC	8-pair AK624RU factory installed in an IP-65 Enclosure Includes a primary pair protection module (5-pin gas tube protectors not included)
FS-AK624-OUT-AC	8-pair AK624RU factory installed in an IP-65 Enclosure Includes a primary pair protection module (5-pin gas tube protectors not included) Includes a FS-ACDC-EXT 110-220 VAC to -48 VDC power supply
FS-AK624-OUT-LPWR	8-pair AK624RU factory installed in an IP-65 Enclosure Includes a primary pair protection module (5-pin gas tube protectors not included) Includes a FS-LPWR ±190 VDC to -53 VDC power supply (required 2 dedicated copper pairs)
FS-GIGA-08-OUT-DC	8-pair FS-GIGA-08 factory installed in an IP-65 Enclosure Includes a primary pair protection module (5-pin gas tube protectors not included)
FS-GIGA-08-OUT-AC	8-pair FS-GIGA-08 factory installed in an IP-65 Enclosure Includes a primary pair protection module (5-pin gas tube protectors not included) Includes a FS-ACDC-EXT 110-220 VAC to -48 VDC power supply
FS-GIGA-08-OUT-LPWR	8-pair FS-GIGA-08 factory installed in an IP-65 Enclosure Includes a primary pair protection module (5-pin gas tube protectors not included) Includes a FS-LPWR ±190 VDC to -53 VDC power supply (required 2 dedicated copper pairs)
Ancillaries	
Spares, Brackets and Options	
FS-PROT-08-AK	Protection module AK624RU
FS-PROT-08	Protection module FS-GIGA-08
FS-GAS-TUBE	5-pin gas tube protector
FS-ACDC-EXT	110-220 VAC to -48 VDC power supply
FS-LPWR	2-pair line power ±190 VDC to -53 VDC power supply (requires 2 dedicated copper pairs)
FS-POLE-BKT	Pole-mount bracket kit
FS-GIGA-SP	Fiber spool



Doc#: FS-CAB-08-120915