



AKCUWB Installation Instructions

Wall Mounting Bracket for Compact Units

Mounting considerations

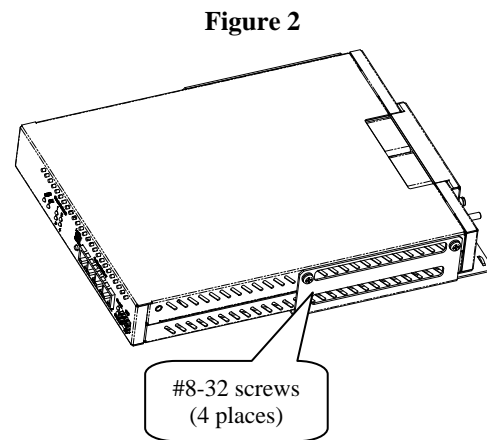
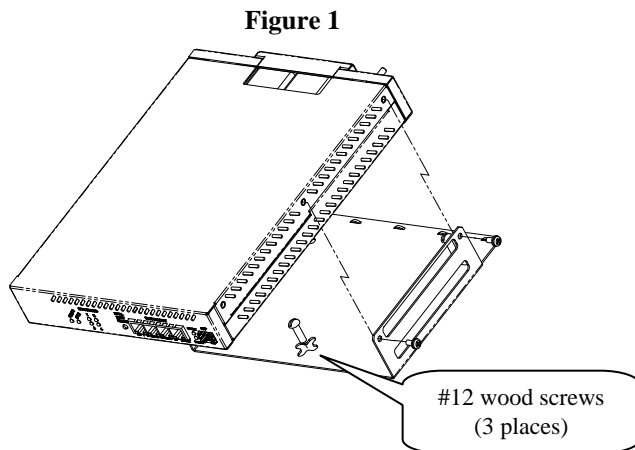
- Customers should plan the location within the room and desired orientation of the unit before proceeding. It is recommended to orient the enclosure such that the fan is blowing vertically upward, or to the left or right, to improve heat dissipation during operation.
- When wiring to the rear of the unit, loops are provided in the bracket to facilitate tie-wraps to route the wires.

Refer to Figure 1:

1. Position the wall mount bracket onto the desired mounting surface. The bracket can be oriented in any direction.
2. Using the holes in the bracket as a template, install the three #12 wood screws (provided) or customer supplied alternate screws into one of the four “spokes” within each of the three star-shaped mounting holes. Tighten the screws to snug the bracket against the wall.

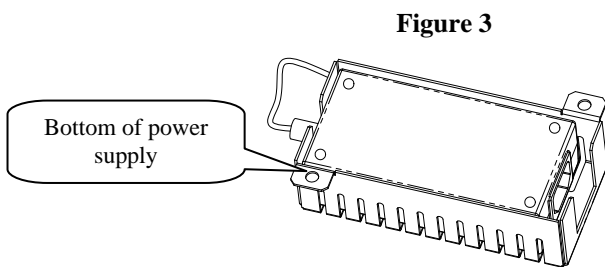
Refer to Figure 2:

1. Slide the enclosure into the “U” shape of the bracket. Note that the two rear-most threaded holes on each side of the enclosure are used to fasten the enclosure to the bracket, and the front of the unit overhangs the front of the bracket. This provides access to the tie points for the rear wiring.
2. Align the holes in the bracket, two on each side, with the holes in the enclosure, and fasten the bracket to the enclosure using the four #8-32 screws provided.



A power supply bracket is included to mount the AKRUPA Remote Unit Power Adapter.

1. Refer to Figure 3: Place the AKRUPA Remote Unit Power Adapter into the power supply bracket with the bottom of the power supply positioned so that it will be against the wall when mounted.
2. Refer to Figure 4: Position the power supply bracket onto the desired mounting surface. The bracket can be oriented in any direction.
3. Install the two #12 wood screws (provided) or customer supplied alternate screws into holes provided on the sides of the bracket.



Power supply mounting bracket

